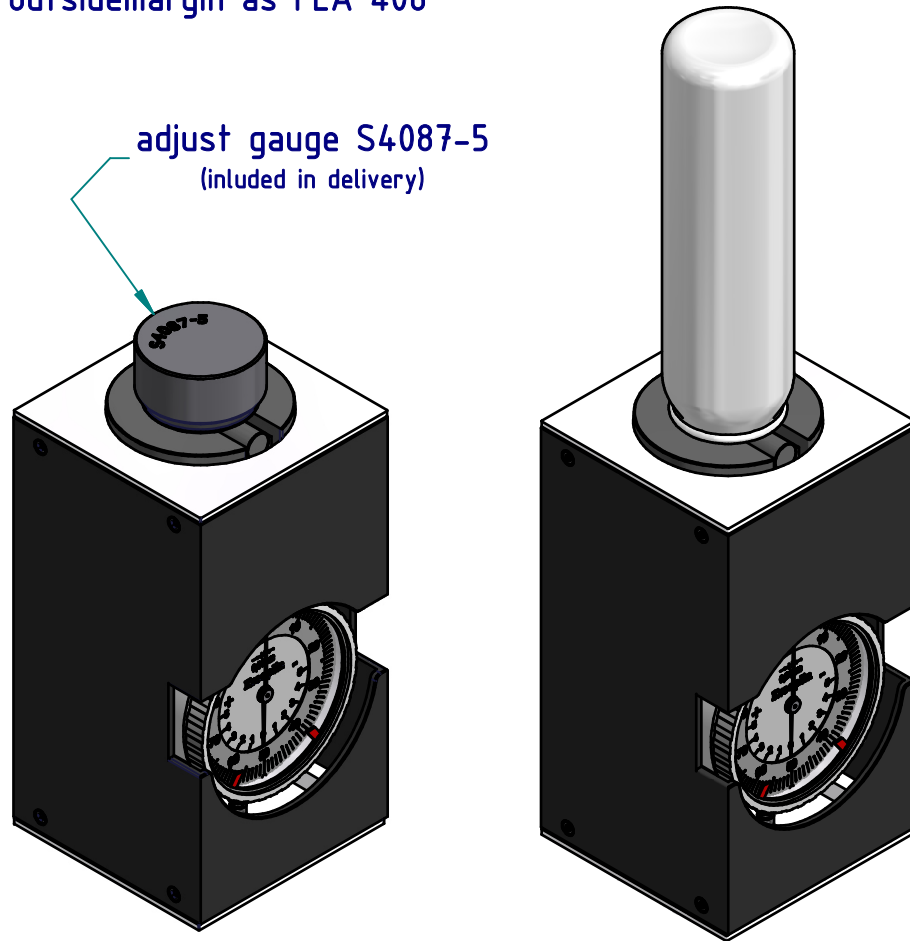
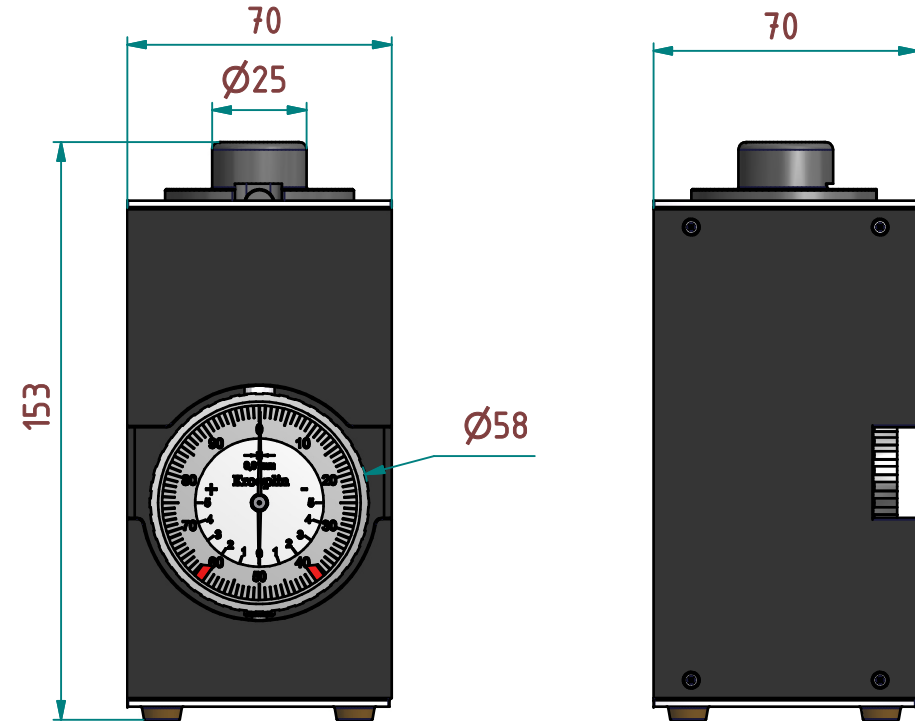


measurement at the evenness-  
outsidemargin as FEA 406



calibration

measurement



subject to technical alterations

**type:** Aerosol  
**range:** ±1 mm  
**range of indication:** +1,5 / -5 mm  
**digital step:** -  
**scale interval:** 0,01 mm  
**measuring force:** 0,5 - 0,7 N  
**weight:** 800 g

**acceptable deviations**  
VDI/VDE/DGQ 2618 Bl. 12.1/13.1)  
**max. permissible**  
**errors "G":** 0,02 mm  
**repeatability "r":** 0,01 mm  
**reference temperature:** 20° C  
**operation temperature:** 10° C - 30° C  
**storage temperature:** -10° C - 50° C

**scale:** 1:2  
**drawing-nr.:** DAB-A1230\_e  
**date of issue:** 28.11.14  
**name:** T.König  
  
**revision status:**  
**revision date:**