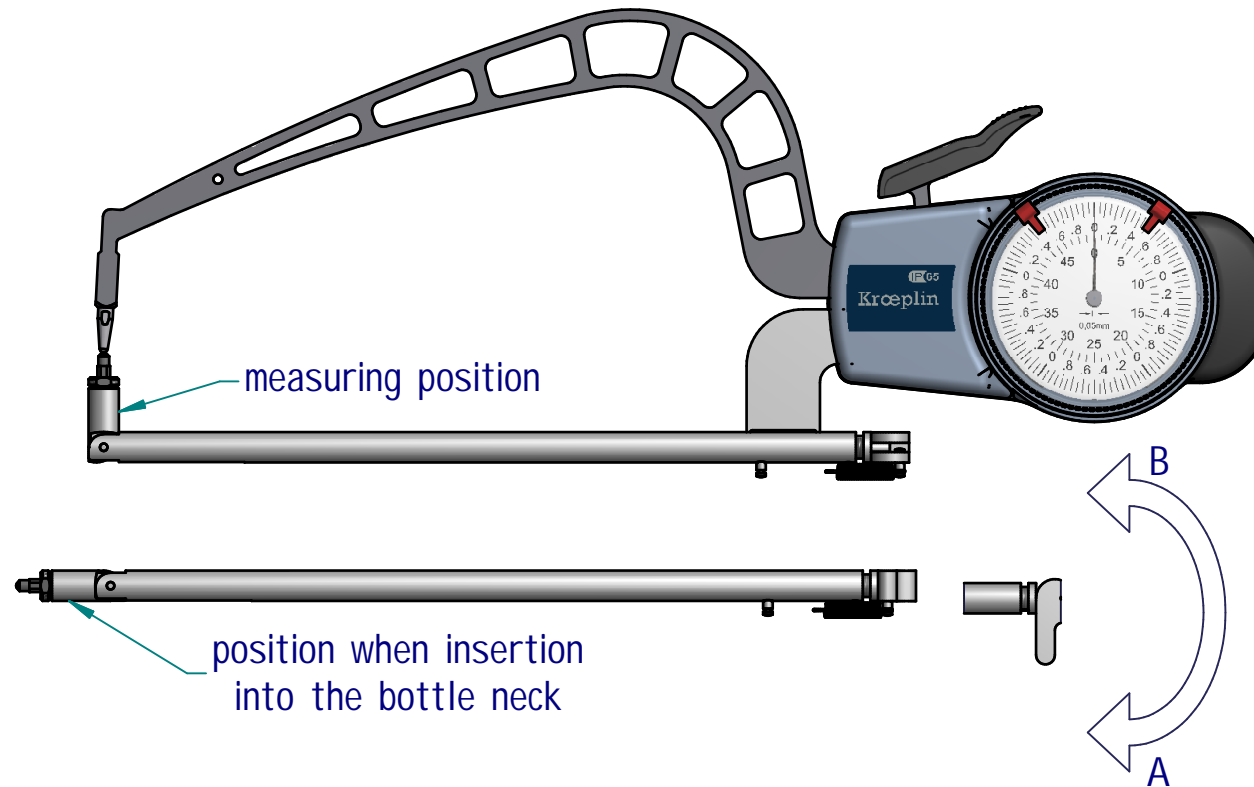


subject to technical alterations

type: **AEROSOL**
range: 0 - 50 mm
range of indication: 0 - 50,5 mm
digital step:
scale interval: 0,05 mm
measuring force: 0.8-1.7 N
weight: 400 g

acceptable deviations
VDI/VDE/DGQ 2618 Bl. 12.1/13.1)
max. permissible
errors "G": 0,075 mm
repeatability "r": 0,05 mm
reference temperature: 20° C
operation temperature: 10° C - 30° C
storage temperature: -10° C - 50° C

scale: 2:1
drawing-nr.: A2191
date of issue: 18.11.2013
name: M.Heil
revision status:
revision date:



Functional Characteristics:

The slewable measuring contact makes an insertin of a bottleneck diameter 9mm possible.

For insertion in the bottleneck the lever has to be in position A. For turning the gauge in mesuring position the lever has to be pressed in position B.

drawing-nr.: A2191
date of issue: 18.11.2013
name: M.Heil

revision status:
revision date: